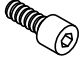







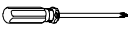
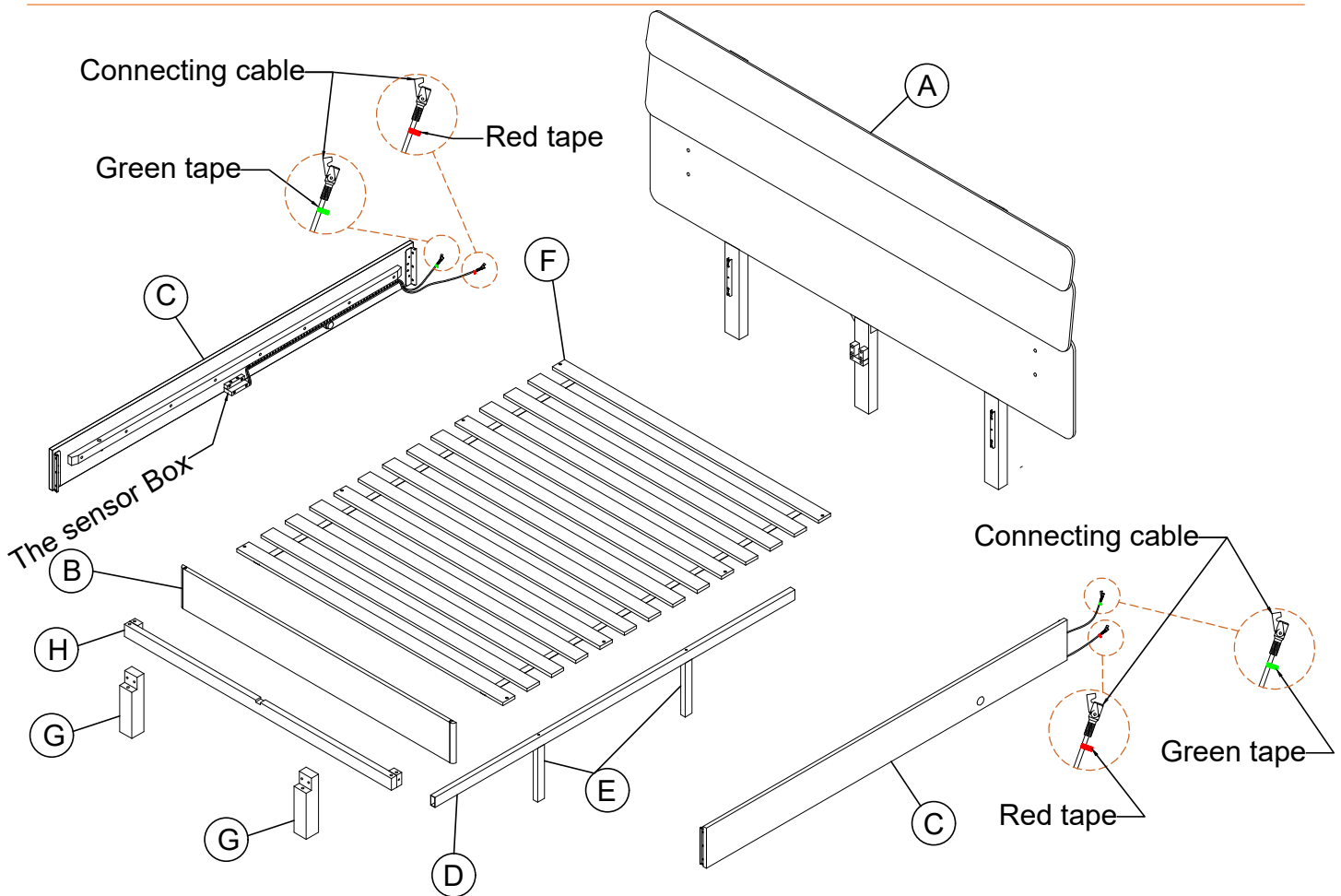
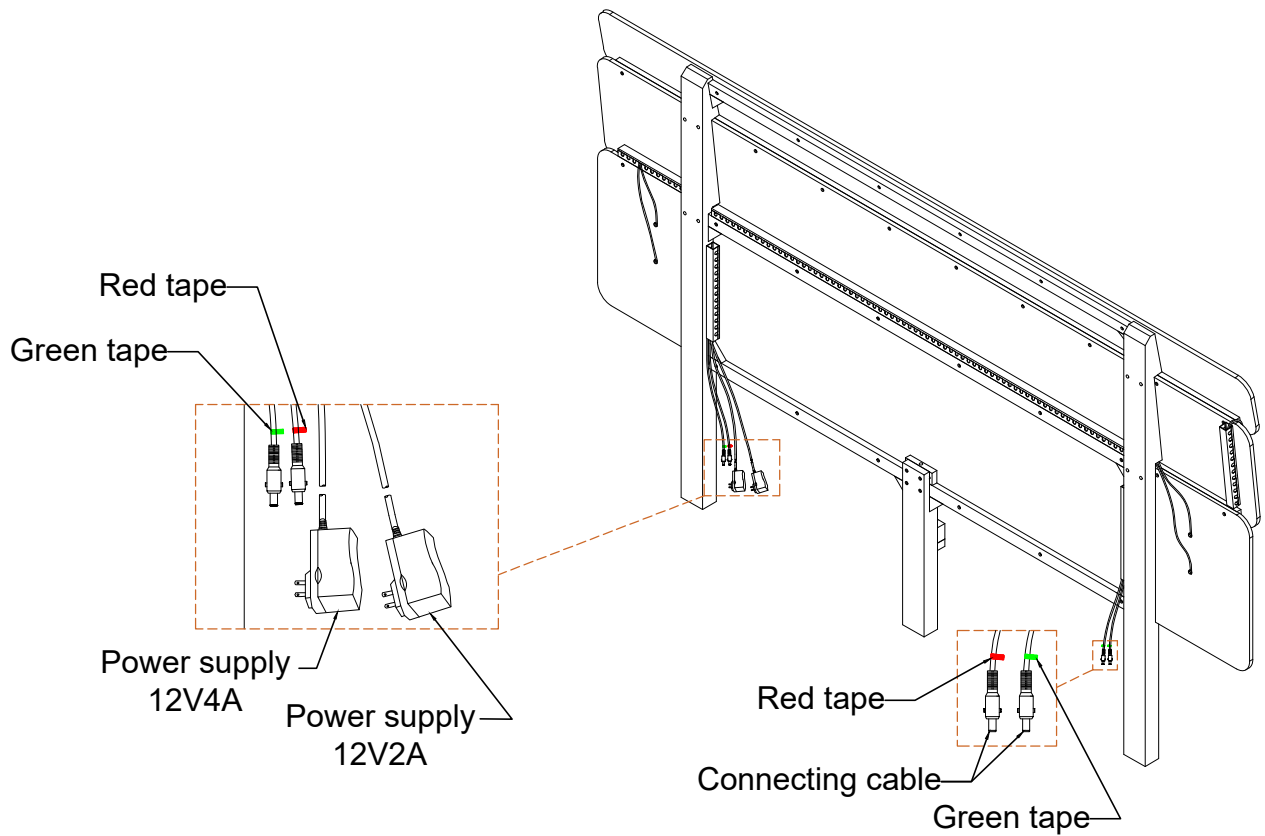


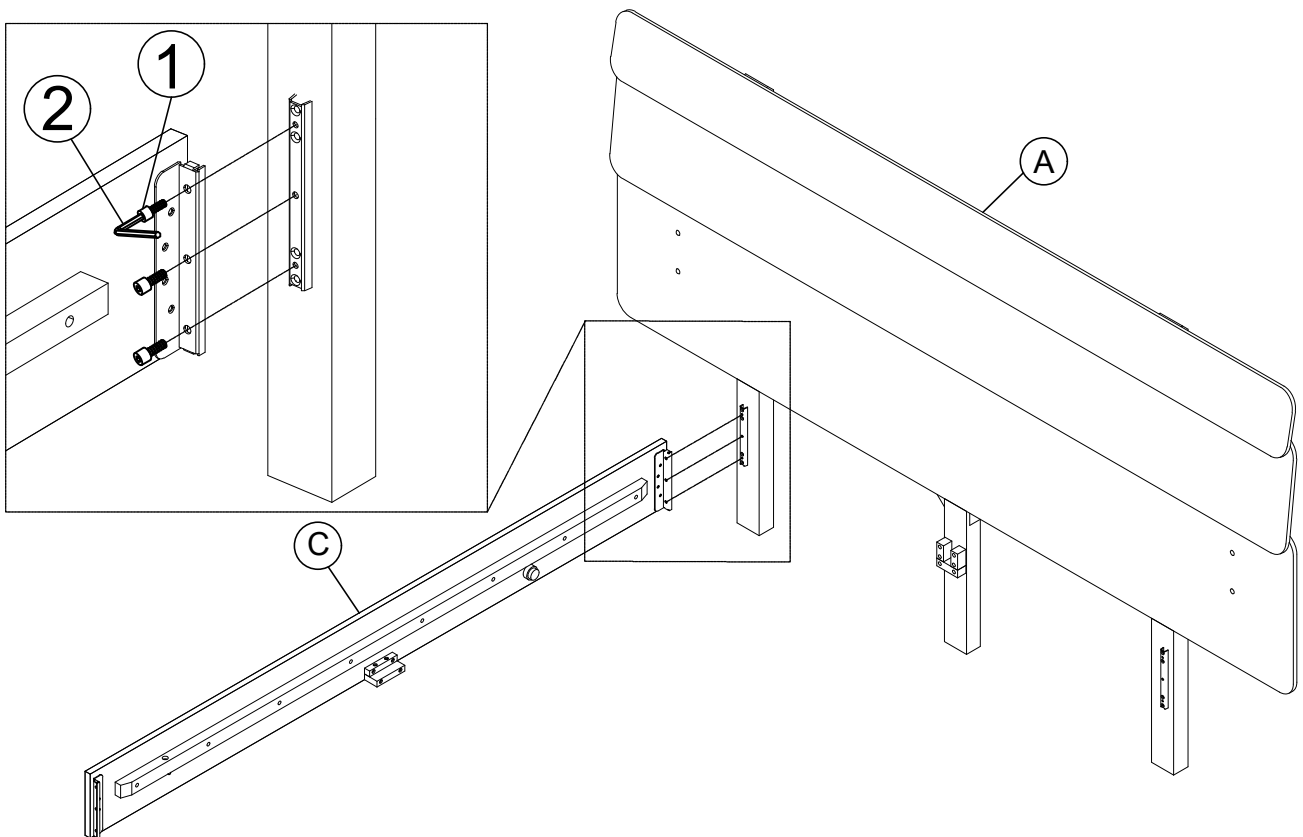
No	Name of Hardware	Q.ty
①	Bolt M6x10 	12
②	Allen Key (K5) 	1
③	Bolts M6x70 	2
④	Bolts M6x50 	8
⑤	Spring Washers 	8
⑥	Flat Washers 	8
⑦	Allen key K4 	1
⑧	Screws Ø4 x 30 	8
⑨	Phillips Screwdriver 	Not Included



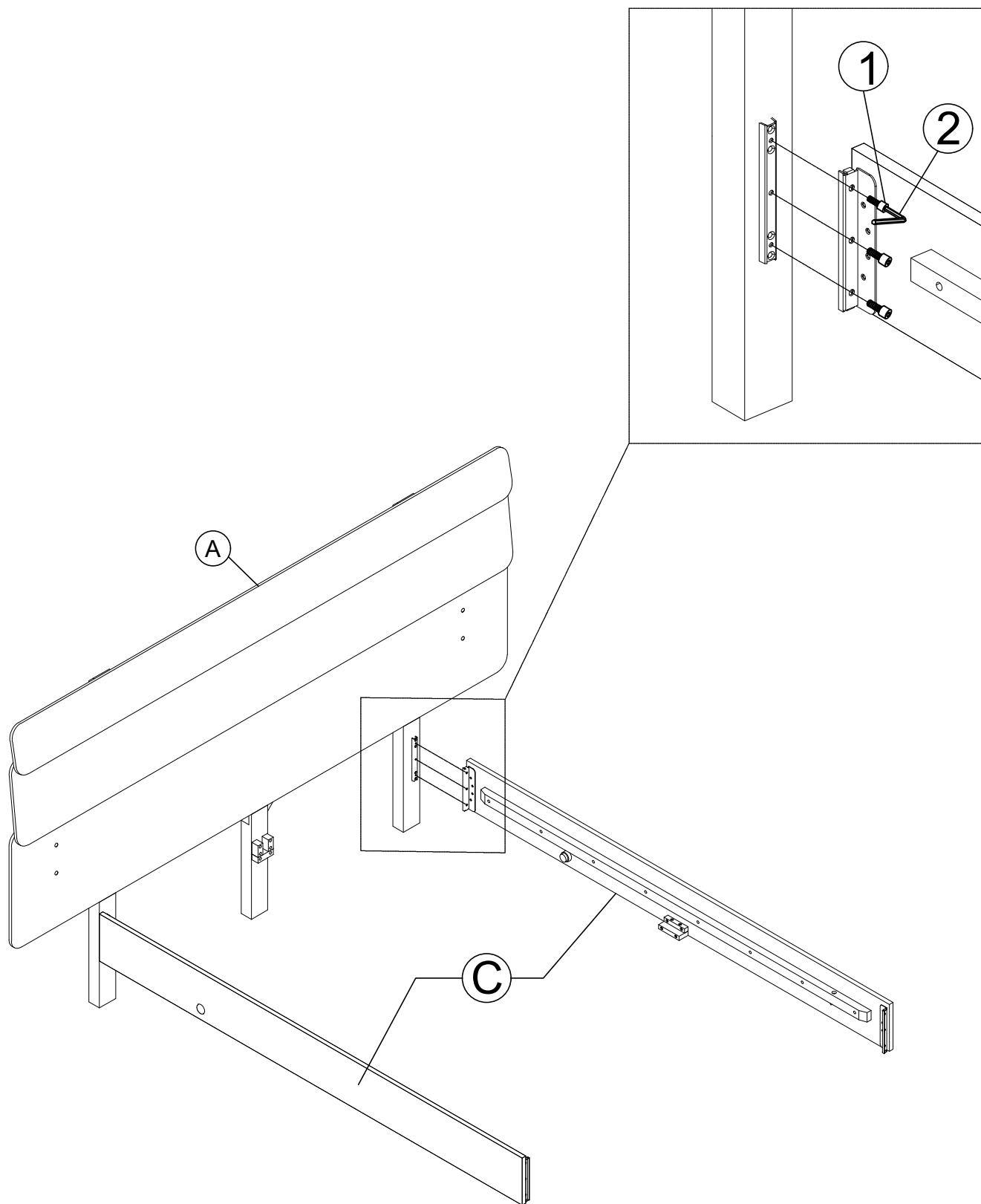
1



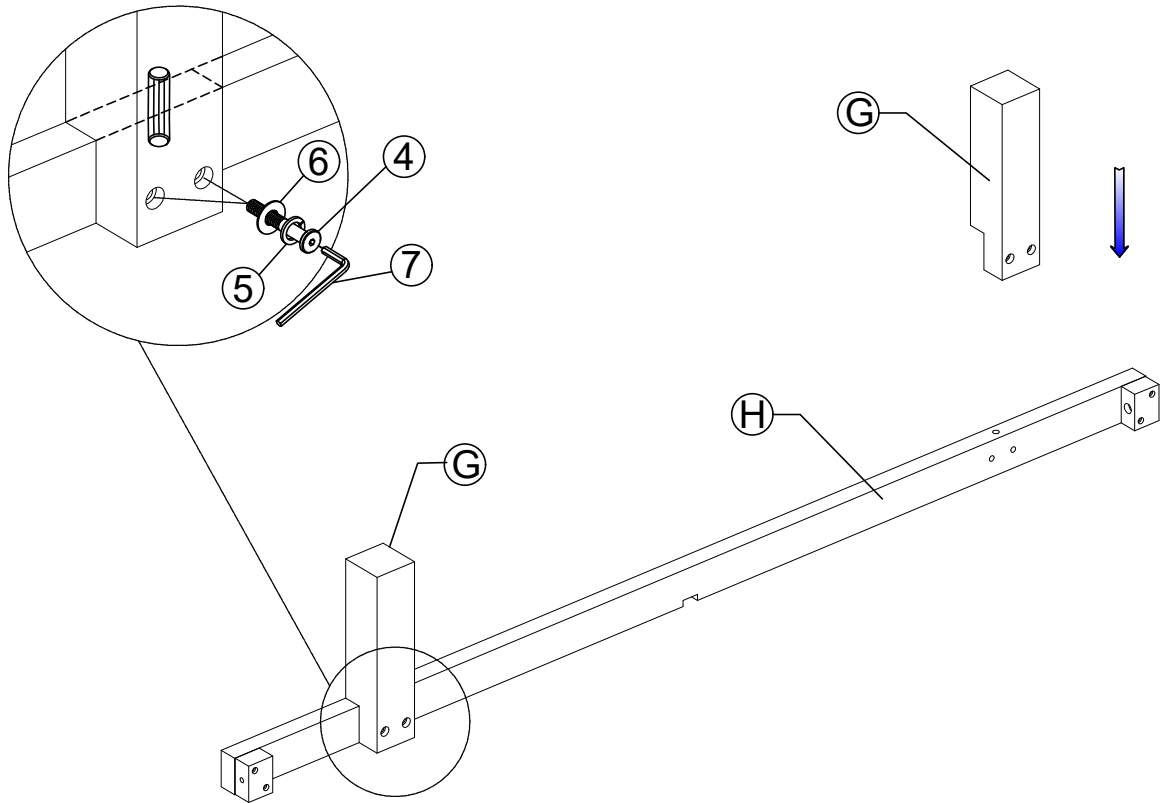
1



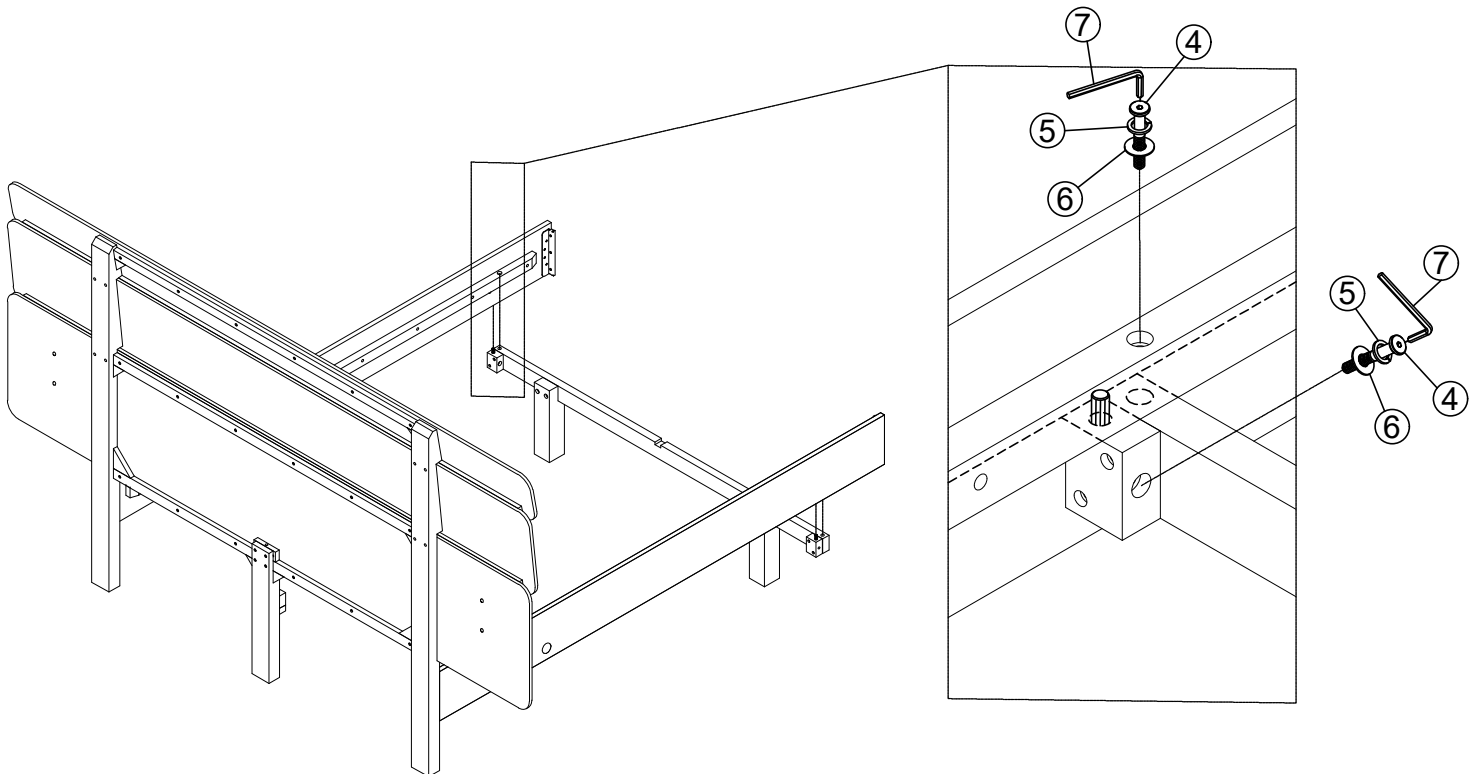
2



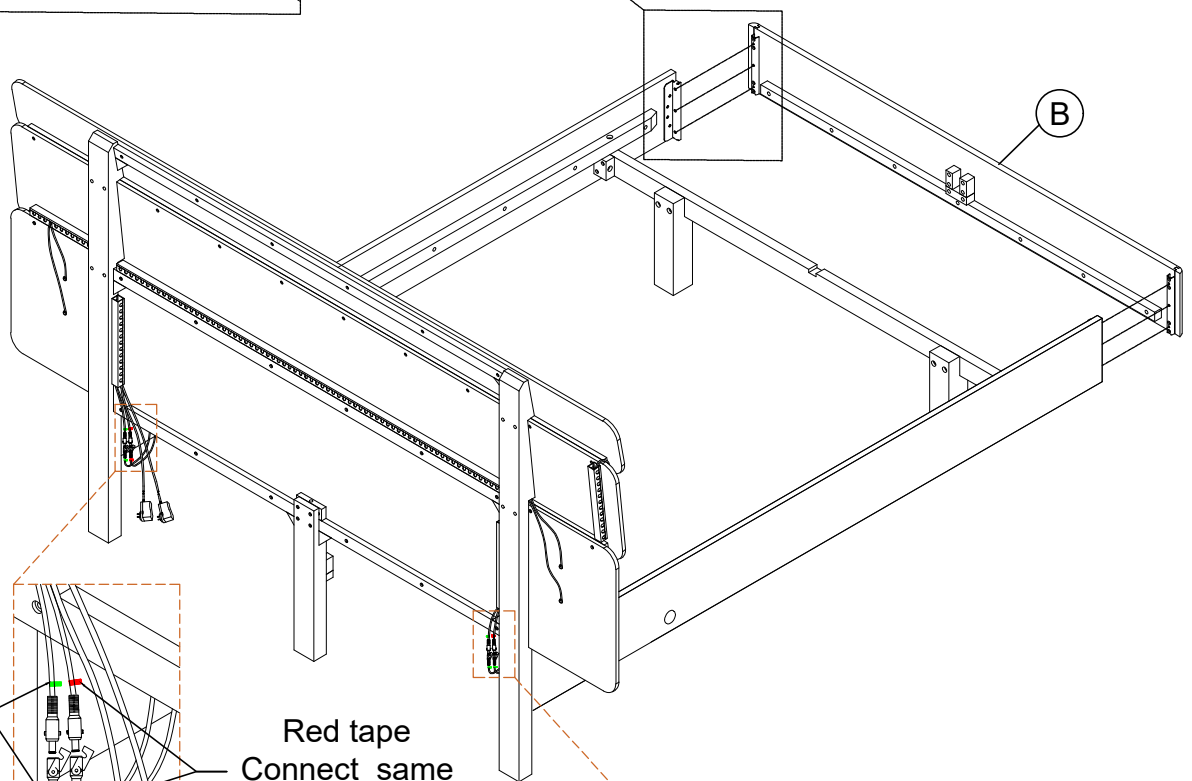
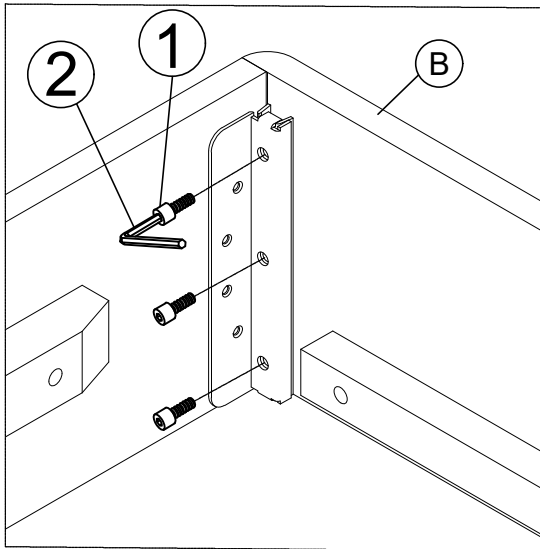
3



4



## 5



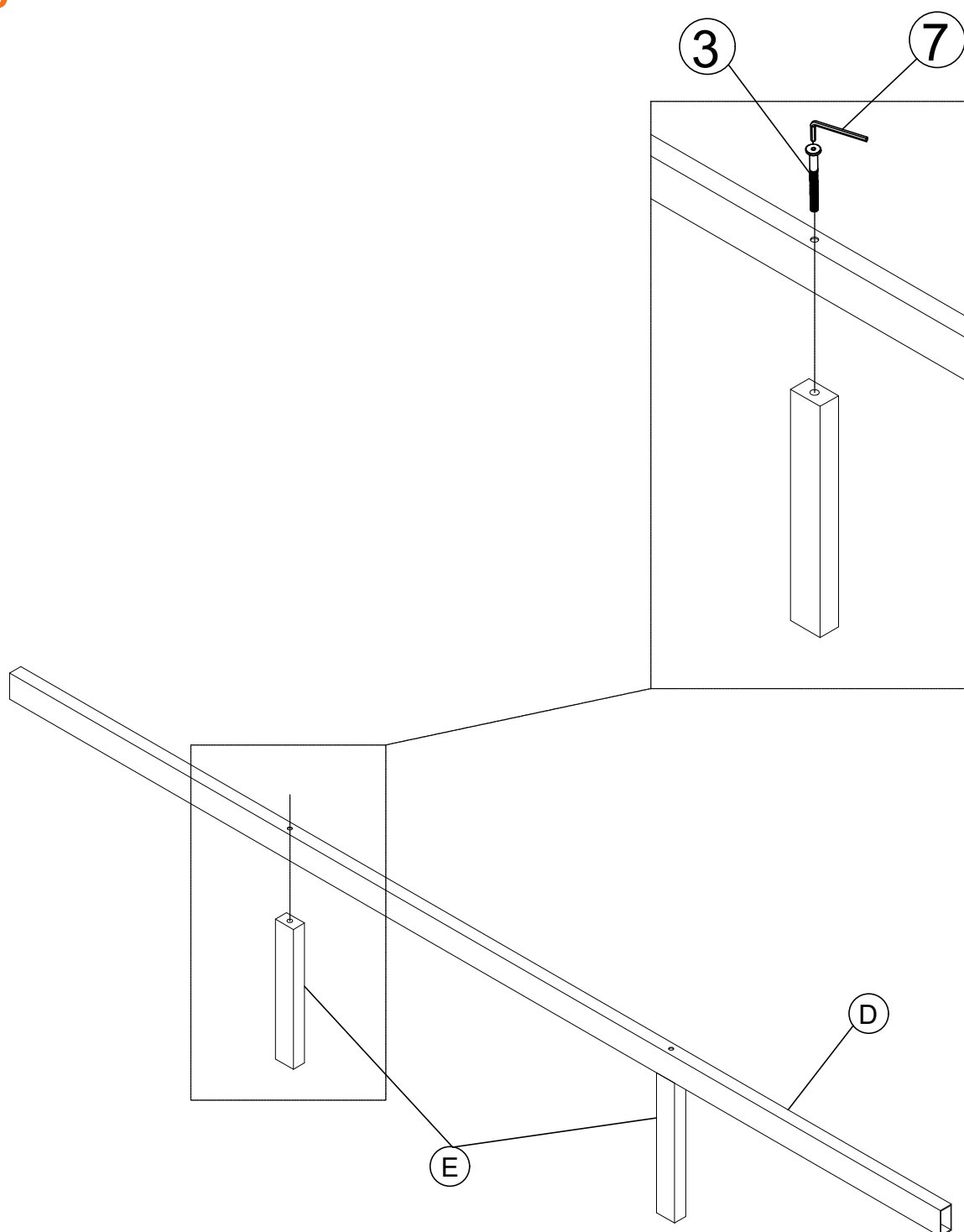
Green tape  
Connect same  
color tape together

Red tape  
Connect same  
color tape together

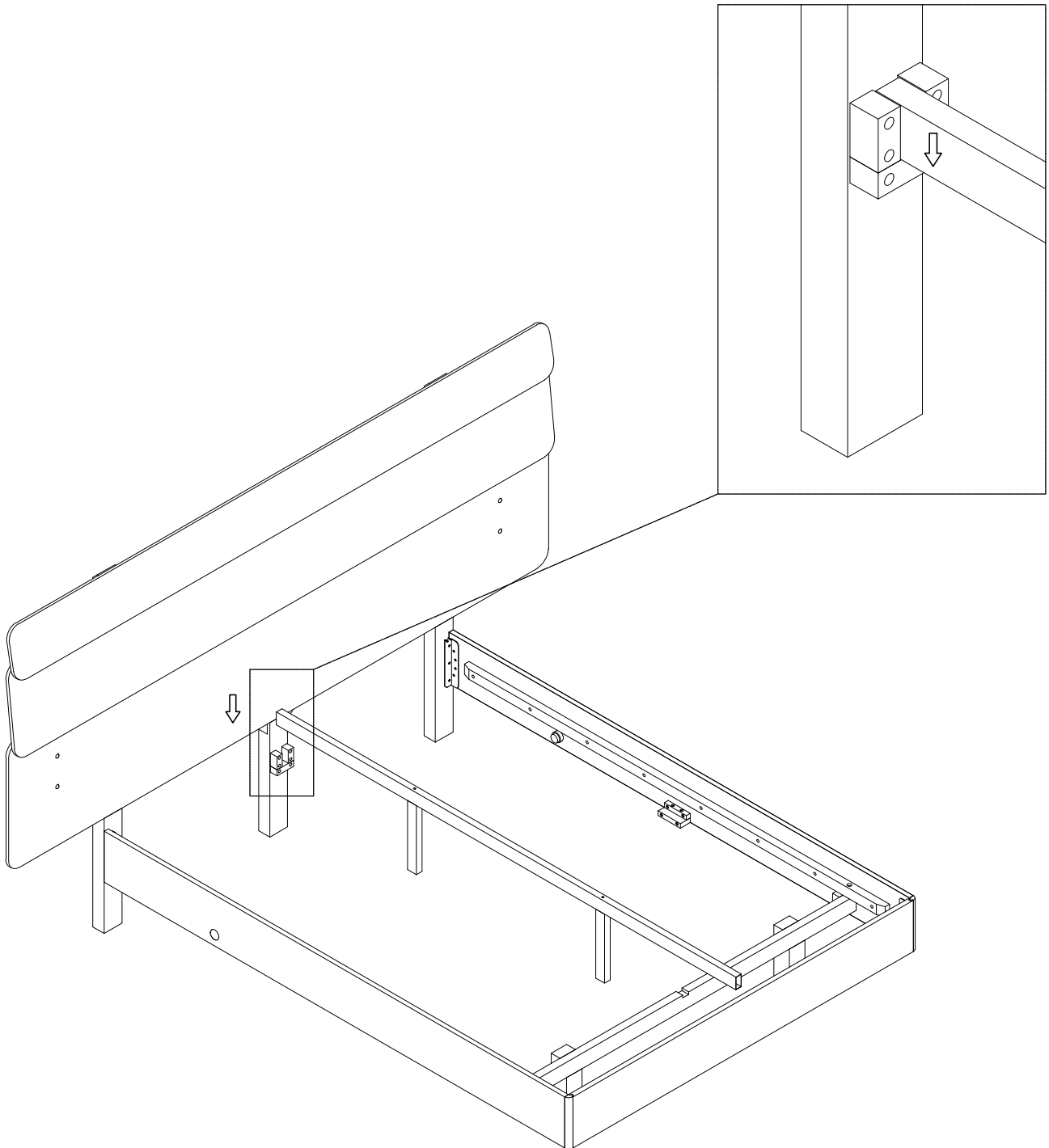
Green tape  
Connect same  
color tape together

Red tape  
Connect same  
color tape together

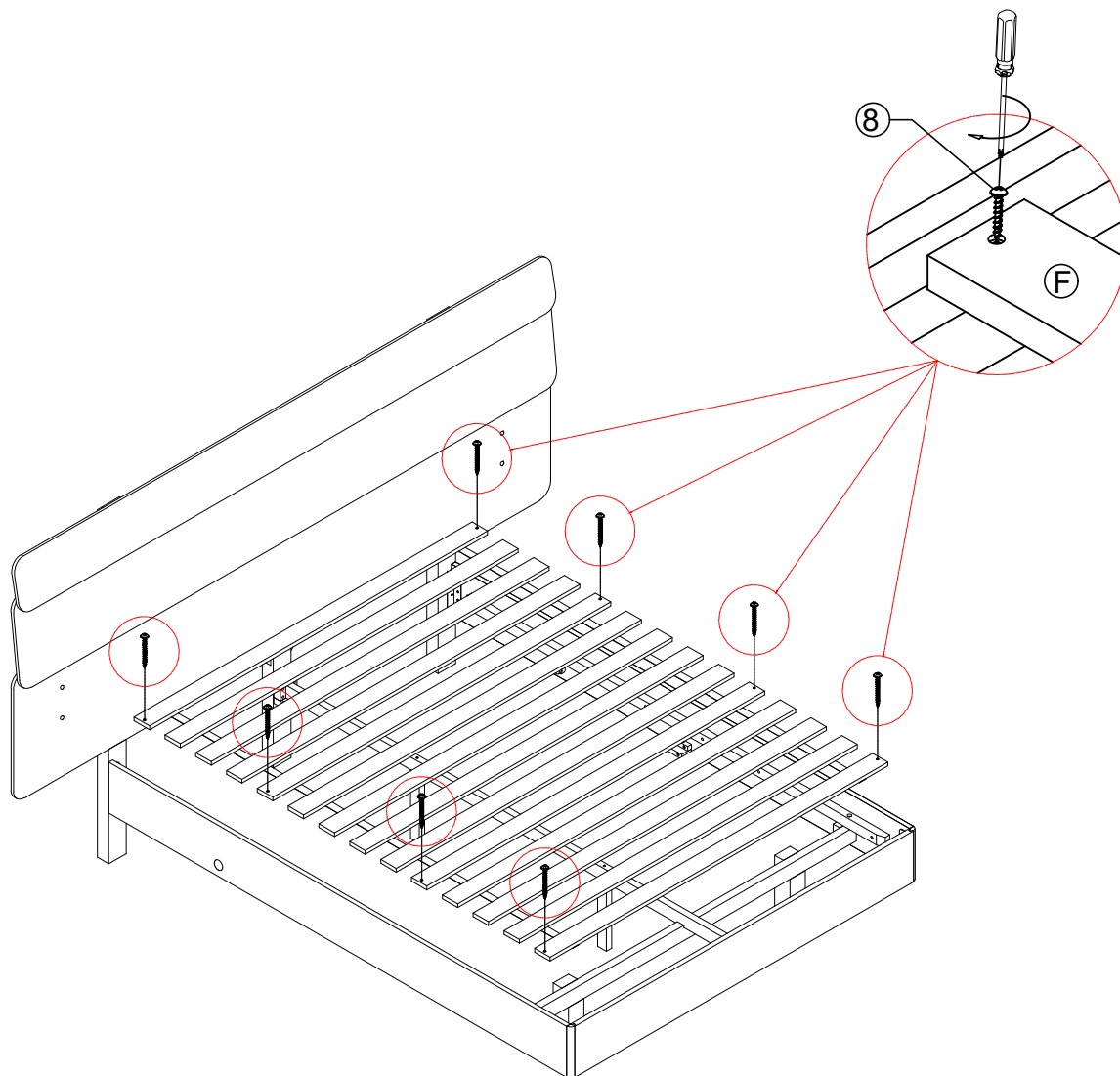
6



7



8



**Safety Instructions**

- This product is not intended for use by persons (including children) with reduced physical, sensory or mental capabilities, or lack of experience and knowledge, unless they have been given supervision or instruction concerning use of the product by a person responsible for their safety.
- Improper use or installation may result in the risk of fire, electric shock and/or injury. We assume no liability for any eventual damages caused by improper use or inappropriate handling, or by any other non-compliance with the instructions in this manual.
- Children should be supervised to ensure that they do not play with the product.
- This product contains moving parts. Keep fingers, hair and body parts well clear from moving parts. To reduce the risk of injury, keep children and pets clear of the product when in use.
- This product is very heavy. Only move this product by lifting the main body. Never drag.
- With time and use, bolts and screws used in the assembly process can loosen. Periodically, re-check and tighten if necessary.
- This product has been designed and intended for indoor residential use only. It is not suitable for commercial or outdoor use.
- This product is not intended to be used as part of a health care plan. Consult your medical professional before operating if you are taking medication or have physical limitations.

**Electrical Instructions**

- Before commencing cleaning or maintenance, ensure this product is disconnected from the power outlet.
- Disconnect this product from the power outlet before moving.
- Cease operation and disconnect from the power outlet if you ever detect a burning odour or smoke coming from the product.
- Do not operate this product if liquid spillage occurs on or around it. Disconnect from the power outlet and allow product to completely dry before reconnecting.
- Do not operate this product if damage is visible in any form.
- Do not modify or use unauthorised substitute parts.
- This product has been designed and intended for indoor residential use only. It is not suitable for commercial or outdoor use.
- This product is not intended to be used as part of a health care plan. Consult your medical professional before operating if you are taking medication or have physical limitations.
- Do not operate the power functions or charge station with wet hands.
- Check the condition of the power cord, electrical cords, transformer, plug and connector on a monthly basis. Do not operate if wear is visible.
- Ensure the power cord, electrical cords and transformer are clear of moving parts and not trapped underneath the base.
- Position the power cord to minimise a tripping hazard.
- Never attempt to open or disassemble electrical components.
- We recommend the use of a surge protector (not included).



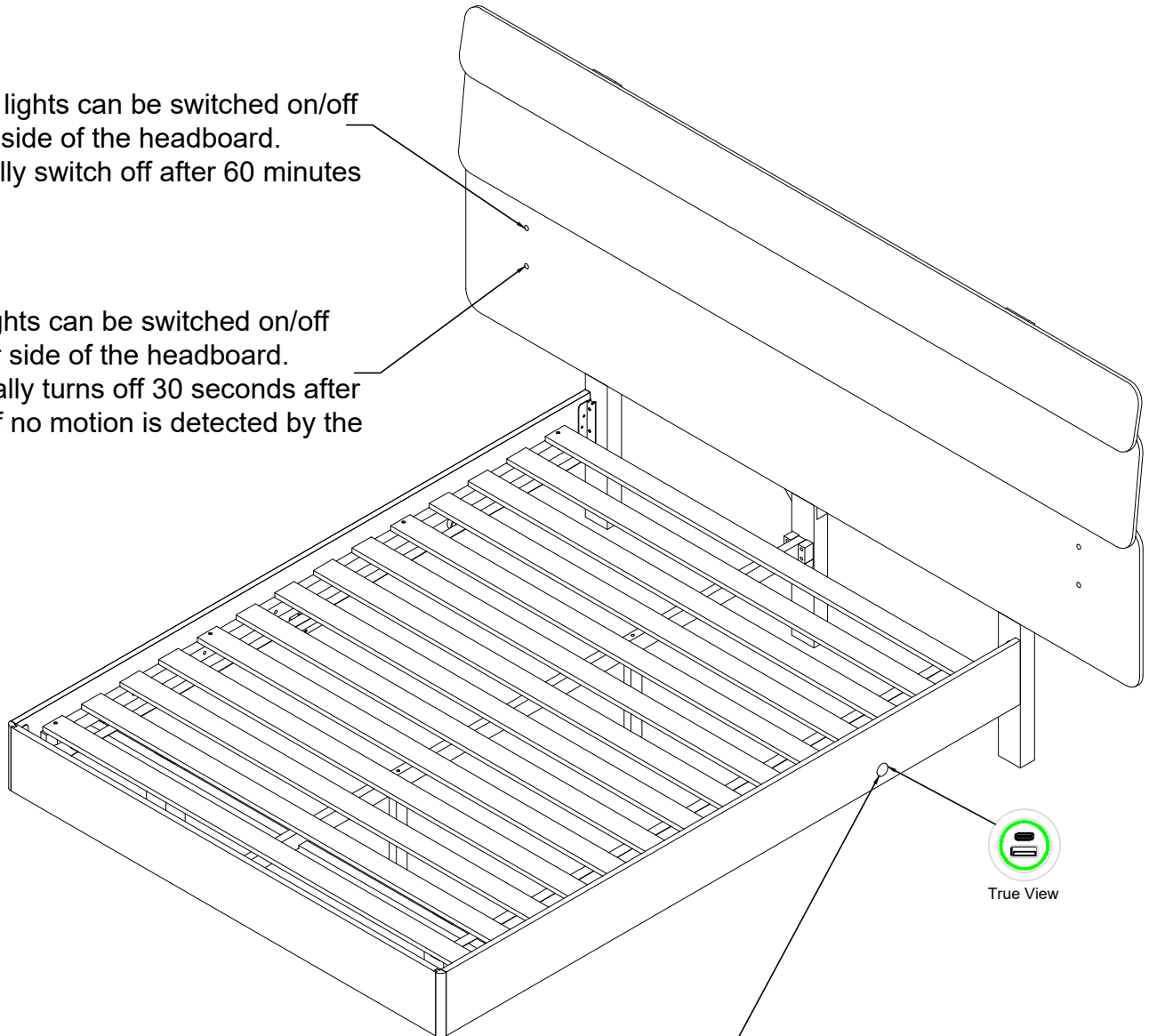
9

### Lights

Headboard lights can be switched on/off from either side of the headboard. Automatically switch off after 60 minutes

### Lights

Side rail lights can be switched on/off from either side of the headboard. Automatically turns off 30 seconds after power on if no motion is detected by the sensor.



### USB Outputs

USB-A or USB-C Output – 5V 3A, 9V 2A or 12V 1.5A  
USB-A + USB-C Max Output – 5V 3A

### Bluetooth Speakers

Search for Bluetooth devices on your audio source and connect to the Bluetooth device named **Audio Leg-Boost**.

